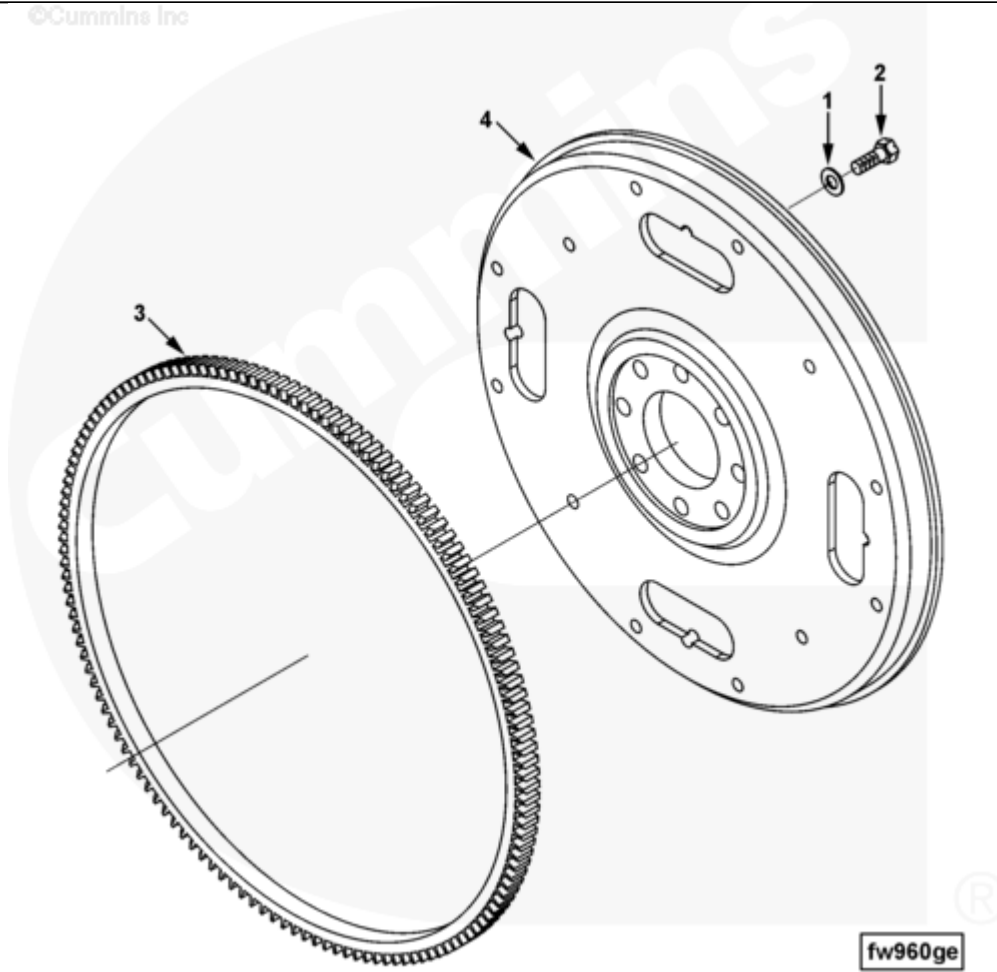




Parts Catalog - Option Detail

Electronic Parts Catalog - Option Detail				
Option	Group	Graphic	Film Card	Date
FW9024-01	16.02	fw960ge	Z	05-JUN-96
Engines	6C8.3, C GAS PLUS CM556, G8.3, G8.3 CM558, GTA8.3 CM558, ISC CM2150, ISC CM554, ISC CM850, ISC8.3 CM2250, ISC8.3 G CM2180 C101, ISL CM2150, ISL CM554, ISL CM850, ISL G CM2180, ISL8.9 CM2150 L110, ISL8.9 CM2880 L112, ISL9 CM2150 SN, ISL9 CM2250, ISL9 CM2350 L101, ISL9 CM2350 L111, ISLE4 CM850, L GAS PLUS CM556, L8.9, L8.9 L121, L8.9G CMOH2.0 L125B, L9 CM2350 L116B, L9 CM2350 L119B, L9 CM2350 L120C, L9 CM2350 L123B, L9.3 L105, L9.5 L117, L9N CM2380 L124B, QSC8.3 CM2250, QSC8.3 CM2880 C102, QSC8.3 CM554, QSC8.3 CM850(CM2850), QSL9 CM2250, QSL9 CM2250 L115, QSL9 CM2350 L102, QSL9 CM2350 L107, QSL9 CM2350 L118, QSL9 CM2350 L122, QSL9 CM554, QSL9 CM850(CM2850), QSL9 G CM558, QSL9 M CM2250 L106, QSL9.3 CM2880 L113			



[SMALL](#) | [MEDIUM](#) | [LARGE](#)

Cart	Ref No	Part Number	Part Description	Required	Remarks
View My Cart					
		FW9024-01	Flywheel		Flywheel...(More)

				Type: Flywheel
				Housing SAE Size or Type:
				SAE 3
				Intended Drive Hardware:
				10 & 11 1/2" O.C. Clutch
				Material Specification:
				40,001
				Ring Gear Pitch: 8/10
				Ring Gear Tooth Count: 127
				Crankshaft Flange to Ring
				Gear Leading Edge: 15.13 MM
				Maximum RPM: 2850 RPM
				Clutch Bore Dia: 71.973 MM
				Clutch Mounting Bolt Circle:
				333.38 MM
				Clutch Mounting Hole Count:
				16
				Clutch Mounting Hole
				Spacing: Equal
				Clutch Mounting Hole
				Nonmenclature: 3/8-16 UNC-2B
				Moment of Inertia (KG/M2):
				0.56
				Structure Code: 02 EBM
				Required Starter Center
				Distance (MM): 216.40
				Applicable Engine Families:
				B Series
				C Series
				Multiple Clutch Face

					Bolt Circle
<input type="checkbox"/>	1	3900269	Plain Washer	8	M12
<input type="checkbox"/>	2	3901395	Hexagon Head Cap Screw	8	M12 x 1.25 x 32
<input type="checkbox"/>		3914433	Flywheel	1	
<input type="checkbox"/>	3	3905427	Flywheel Ring Gear	1	
	4	3914431	Flywheel	1	

© 2019 Cummins Inc., Box 3005, Columbus, IN 47202-3005 U.S.A.
Terms of Use and Disclaimers | Recommended System Requirements
Need Assistance? Please click on the Contact Us button in the top right corner of any page.